



Electrolux
PROFESSIONAL

Digital Undercounter ecostore HP Premium Freezer Counter - 290lt, 2-Door

ITEM # _____

MODEL # _____

NAME # _____

SIS # _____

AIA # _____



710288 (EH2KBAAT)

2-door Freezer Counter
290lt, -22-15°C, AISI 304

Short Form Specification

Item No. _____

AISI 304 stainless steel panels, AISI 304 bottom panel, AISI 304 back panel. Worktop thickness 50mm. N. 2 full doors. Built-in refrigeration unit. Automatic defrost. Operating temperature: -15-22°C. R290 gas in refrigeration circuit. Supplied with 1 grid for each door compartment

Main Features

- Adjustable temperature range from -15°C to -22°C.
- Preservation performances and temperature uniformity within the cell guaranteed at 5-HEAVY DUTY (40°C) working conditions according to EN16825:2016 test protocol.
- Certified safety CE requirements.
- Equipped with Optiflow forced air circulation system for rapid cooling and temperature distribution within the cell.
- 0mm clearance installation space: lower configuration cooling unit guarantee performance with frontal ventilation only; this unique solution allows installation against the wall or side by side with other appliances, even on the cooling unit side to maximize the use of kitchen space.
- Combination of doors and drawers to suit any configuration needed, with the possibility to change the configuration on site. Right cooling unit available on request.
- External back panel and bottom panel in AISI 304.
- Fully removable cooling unit to facilitate maintenance.
- Frontal and easy access to all components in the cooling unit.
- Anti-tilt runners accept GN 1/1 containers.
- Self closing stainless steel doors (< 90°).
- Prearranged to fit RS485 port to facilitate connection to a remote computer and integrated HACCP systems.
- Tropicalized unit.

APPROVAL: _____



Experience the Excellence
www.electroluxprofessional.com

Construction

- 2 compartments with 2 doors.
- Interior base with rounded corners, pressed from a single sheet.
- Ease of cleaning and high hygiene standards thanks to the rounded internal corners, the easily removable runners, grids and air conveyors.
- Internal structure with 15 charging positions (3 cm pitch) available to host GN 1/1 grids, ensuring higher net capacity and a greater storage space.
- Worktop in AISI 304 Stainless steel with a 50 mm profile.
- If needed, working top can be removed for easier handling during installation (in case of narrow doors).
- Anti-drip profile on stainless steel worktop edge.
- Mounted on Stainless steel legs to give 150 mm clearance for ease of cleaning the floor.
- Internal and external doors, front and side panels and removable worktop in AISI 304 Stainless steel.
- Built-in refrigeration unit.
- Developed and produced in ISO 9001 and ISO 14001 certified factory.
- Fault code display.

Sustainability



- Fitted with 90 mm thickness of cyclopentane insulation for best insulating performance (thermal conductivity: 0,020 W/m*K) and lowest environmental impact (GWP=3).
- Removable triple-chamber balloon magnetic gasket to improve insulation and reduce energy consumption and ease of cleaning.
- Frost Watch Control starts automatically the defrosting process only when needed and ends once ice is melted, improving energy efficiency results.
- Hot gas automatic evaporation of defrost water.
- Hydrocarbon refrigerant gas R290 for the lowest environmental impact (GWP=3) - CFC and HCFC free.
- CFC and HCFC free, highly ecological refrigerant type: R290 (ecological gas in foam: cyclopentane). Hydrocarbon refrigerant gas R290 for the lowest environmental impact (GWP=3), to reduce green house and ozone depletion effects.

Included Accessories

- 2 of Kit 1/1 grey rilsan grid and 2 side runners for refrigerated counters PNC 881109

Optional Accessories

- 1/1GN grey rilsan grid for refrigerated counters PNC 881107
- 2 side runners for 1/1 GN ecostore refrigerated counters PNC 881108
- Kit 1/1 grey rilsan grid and 2 side runners for refrigerated counters PNC 881109
- 1/1 GN plastic container, H=65 mm PNC 881110
- 1/1 GN plastic container, H=100 mm PNC 881111
- 1/1 GN plastic container, H=150 mm PNC 881112
- Lock for refrigerator/freezer counters with 2 compartments - h700mm (can be used in kit for Marine conversion) PNC 881242
- IoT module for refrigerated cabinets and counters PNC 881298

Front

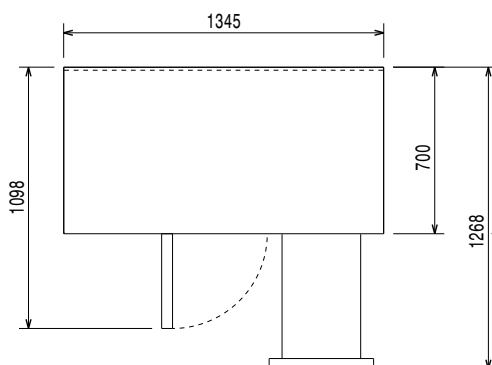


Side



EI = Electrical inlet (power)

Top



Electric

| | |
|------------------------|----------------------|
| Supply voltage: | 220-240 V/1 ph/50 Hz |
| Electrical power, max: | 0.49 kW |
| Defrost Power: | 0.57 kW |
| Plug type: | CE-SCHUKO |

Key Information:

| | |
|------------------------------|---------------------|
| Net Volume: | 198 lt |
| Door hinges: | |
| External dimensions, Width: | 1345 mm |
| External dimensions, Depth: | 700 mm |
| External dimensions, Height: | 900 mm |
| Internal Dimensions, Width: | 798 mm |
| Internal Dimensions, Depth: | 560 mm |
| Internal Dimensions, Height: | 550 mm |
| Net weight: | 105 kg |
| Shipping volume: | 1.14 m ³ |
| Depth with doors open: | 1110 mm |
| Height adjustment: | -5/50 mm |
| Gross capacity: | 290 lt |

Refrigeration Data

| | |
|-------------------------------------------------|----------------------|
| Control type: | Digital |
| Refrigeration power at evaporation temperature: | -30 °C |
| Min/Max internal humidity: | |
| Operating temperature min.: | -15 °C |
| Operating temperature max.: | -22 °C |
| Compressor power: | 3/4 hp |
| Operating mode: | Ventilated |
| Insulation: | 90 mm (Cyclopentane) |

ISO Certificates

| | |
|----------------|-------------------------------------------|
| ISO Standards: | ISO 9001; ISO 14001; ISO 45001; ISO 50001 |
|----------------|-------------------------------------------|

Sustainability

| | |
|----------------------------------------------------------|----------------------------|
| Current consumption: | 3.3 Amps |
| Refrigerant type: | R290 |
| GWP Index: | 3 |
| Refrigeration power: | 569 W |
| Refrigerant weight (unit 1): | 145 g |
| Energy Class (EU Reg. 2015/1094): | C |
| Yearly and daily energy consumption (EU Reg. 2015/1094): | 1564kWh/year - 4.28kWh/24h |
| Climate class (EU Reg. 2015/1094): | Heavy Duty (5) |
| Energy Efficiency Index-EEI (EU Reg. 2015/1094): | 44,23 |

EU energy labelling from 1st July 2016

The European energy labelling scheme for professional refrigerators and freezers is based on requirements setting Minimum Energy Performance standards for commercial refrigeration cabinets sold within the EU.

These requirements are designed to drive energy efficiency and environmentally friendly approach for professionals. The European energy labelling scheme will apply to all manufacturers and importers who sell and market products within the EU and it is mandatory across Europe. Important: all products which consume energy above the minimum level will not be able to be sold within the EU from 1 July 2016.

SI 2020 No. 1528.

Important: all products which consume energy above the minimum level will not be able to be sold within the EU from 1 July 2016.

